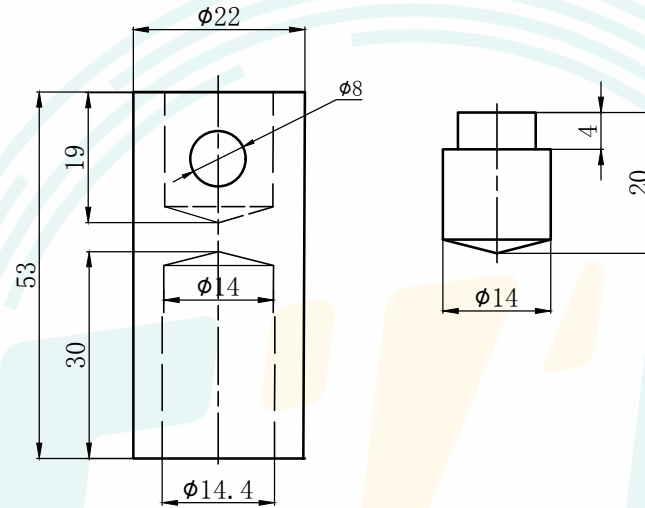


TTF2305074



Specifications:

1. Material: Copper.
2. Conductors to be connected: Grounding rod - AWG #2/ #4
3. Allowable diameters (mm):
 Main: 5/8" certified grounding bushing
 Tapping: 7.89 [0.31"]-6.26 [0.25"] -6.26 [0.25"]
4. Allowable branch cross-section (mm²): 31.74-19.95.
5. All dimensions are in mm unless otherwise specified.
6. Tolerance: ±5% for all dimensions unless otherwise specified.



CONECTOR PICA DE PUESTA A TIERRA (HAMMERLOCK)

制图
drawing

HAI YUE HE

审核
audit

JACK WU

批准
approval

XUE DONG JI



TTF POWER TECHNOLOGY CO., LTD