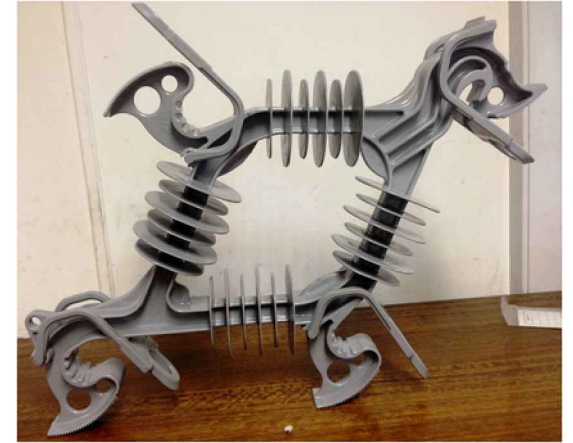
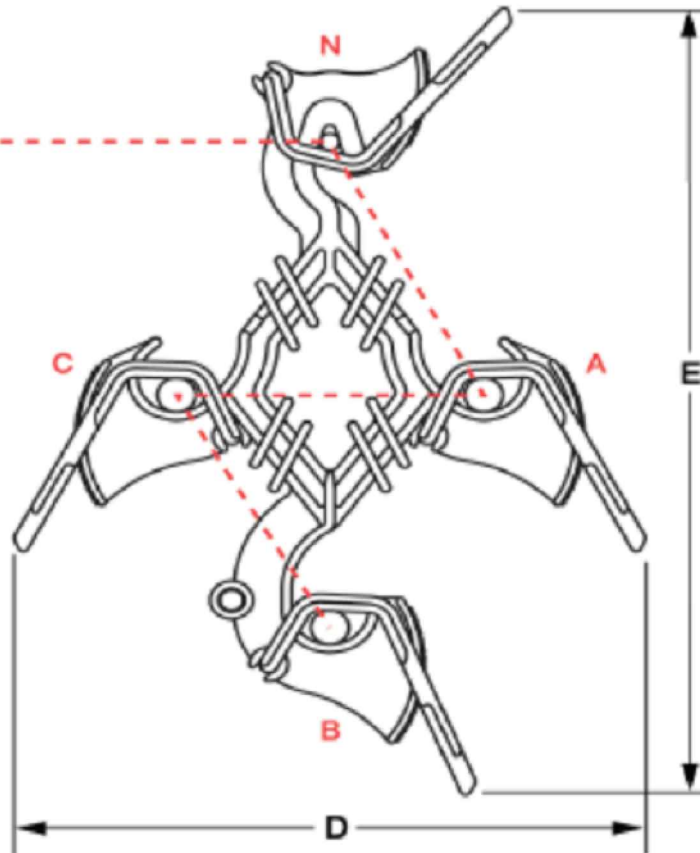


**RTL-15DM
Spacer**



Catalog No.*	Dimensions (in)		Conductor Spacing (in)			Min. Leakage Distance (in)	Messenger Range (in)	Cable Range (in)	Max. System Voltage (kV)	Short Circuit Rating (kA)	Weight (lbs)
	D	E	AN	AC	BC						
RTL-46	20 ¹ / ₂	29	12	11 ¹ / ₂	11 ¹ / ₂	17 ¹ / ₂	.375 - .750	.438 - 2.00	46	16**	3.6

NOTE:

1. Material: Polyethylene.

Espaciador P/Red Compacta 25-35-46KV

制图
drawing

HAI YUE HE

审核
audit

JACK WU

批准
approval

XUE DONG JI



TTF POWER TECHNOLOGY CO., LTD